

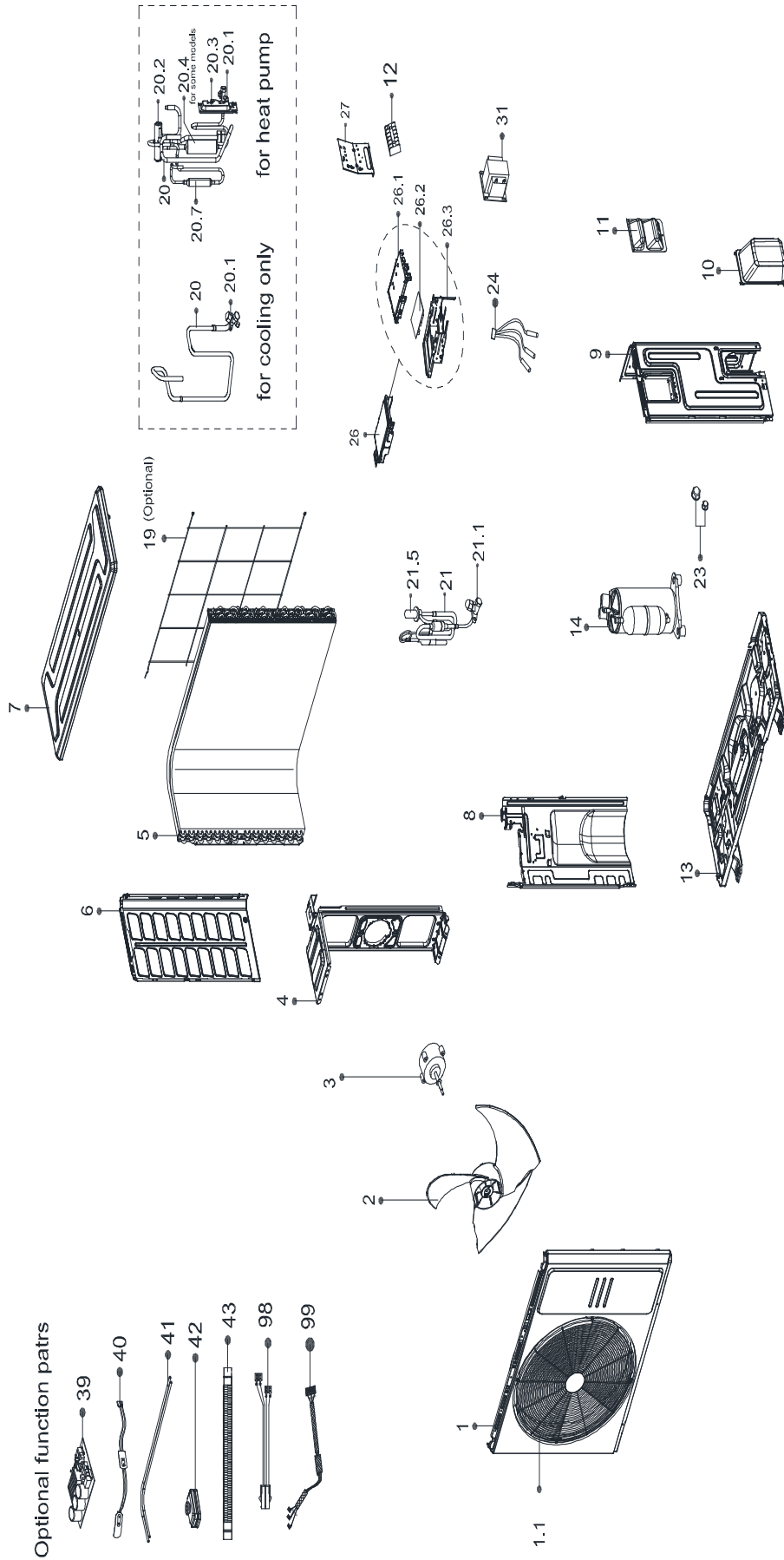


REPLACEMENT PARTS LIST

**Inverter Single Zone Ductless Mini-Split**

A-ZHP12SA-1

# EXPLODED VIEW



# REPLACEMENT PARTS

Location	Part Name	Quantity	Part No.
1	Front panel assembly	1.0	12222000A06282
1.1	Air outlet grille	1.0	12222000A06092
2	axial flow fan	1.0	12100105000841
3	Motor	1.0	11002015016275
4	Motor bracket	1.0	12222000012371
5	Condenser assembly	1.0	15822000015846
6	Left supporter	1.0	12222000013472
7	Top cover	1.0	12222200005737
8	Partition board	1.0	12222000019785
9	right side plate	1.0	12222000019846
10	Water collector	1.0	12122000007150
11	handle	1.0	12222000010966
12	Terminal block	1.0	17400401006456
13	Chassis assembly	1.0	12222000014505
14	compressor	1.0	11103020014063
19	Rear Grille	1.0	12222000013085
20	4-ways valve or Gas valve assembly	1.0	15422000026107
20.1	Gas valve	1.0	15500204000665
20.2	4-way valve	1.0	15500216002683
20.3	Valve plate	1.0	12222200005738
20.4	Muffler assembly	1.0	15122000034757
20.7	Muffler assembly	1.0	15122000031742
21	High pressure valve assembly	1.0	15422000025069
21.1	High pressure valve	1.0	15500208000028
21.5	Electronic expansion valve	1.0	15500213000047
23	Copper nut	1.0	15500406000016
23	Copper nut	1.0	15500406000010
24	combination sensor	1.0	11201011001047
26	Electronic control box subassembly	1.0	17222000044080
26.1	Electronic installing box	1.0	12222000019786
26.2	main control board assembly	1.0	17122000063942
26.3	Electronic installing box assembly	1.0	12222000019767
27	Terminal board	1.0	12222000019766
31	Reactor	1.0	17400306000041
33	Outdoor unit trademark	1.0	16000201001228
40	Crankcase electric heater	1.0	17402001001499
41	Electric heater of chassis	1.0	17402002000544
99	compressor connection cable	1.0	17401203027680

---

Due to ongoing product improvements, specifications and dimensions are subject to change and correction without notice or incurring obligations. Determining the application and suitability for use of any product is the responsibility of the installer. Additionally, the installer is responsible for verifying dimensional data on the actual product prior to beginning any installation preparations.

Incentive and rebate programs have precise requirements as to product performance and certification. All products meet applicable regulations in effect on date of manufacture; however, certifications are not necessarily granted for the life of a product. Therefore, it is the responsibility of the applicant to determine whether a specific model qualifies for these incentive/rebate programs.



1900 Wellworth Avenue • Jackson, MI 49203 • 517-787-2100